

DEF Safe-T-Break®



Stop the flow of fluid on both sides of the separation.

Model 007219

- Non-reconnectable Safe-T-Break®
- Low profile design.
- Thread sealant not required with BSPP threads.
- 100% DEF compatible parts.
- Instant-closing, dual poppet check valve design.
- Maximum separation of 300 lbf / 1334.5 N.
- Comes standard with guard.

Model 012070

- Reconnectable Safe-T-Break®
- Maximum separation of 200 lbf / 889.6 N.
- 100% DEF compatible parts.
- Instant-closing, dual poppet check valve design.
- Comes standard with guard.
- DEF compatible thread sealant required for 3/4" NPT threads.

Safe-T-Breaks®

MODEL NO.	DESCRIPTION	SHIPPING WEIGHT LBS (KG)
007219	1" M x 1" M Stainless Steel Non-Reconnectable Safe-T-Break®	0.90 (.40)
008216	1" M x 1" M Stainless Steel Reconnectable Safe-T-Break®	0.94 (.43)
012070 [^]	3/4" F x 3/4" F NPT Reconnectable Safe-T-Break®	0.54 (.20)
012659 [^]	3/4" F x 3/4" F BSPP Reconnectable Safe-T-Break®	.54 (.20)

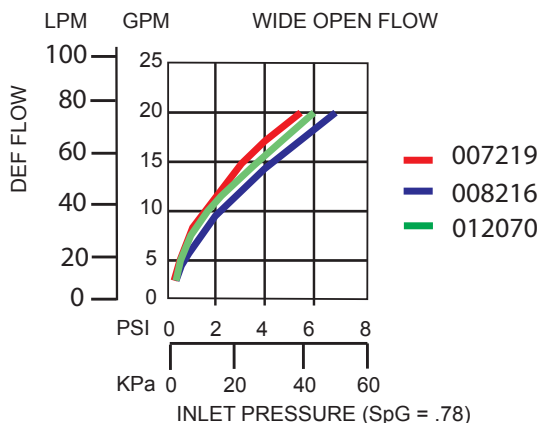
[^] NOT LISTED

Construction

Body	Stainless Steel, 012070 - Anodized Aluminum
Seals	Fluorocarbon
Inlet	1" / 25.4 mm BSPP, 012070 - 3/4" / 19.1 mm NPT

Model 008216

- Reconnectable Safe-T-Break®
- Maximum separation of 200 lbf / 889.6 N.
- 100% DEF compatible parts.
- Thread sealant not required with BSPP threads.
- Instant-closing, dual poppet check valve design.
- Comes standard with guard.



Model 008216

Model 012070/012659

Model 007219



WARNING: Cancer and Reproductive Harm - www.P65Warnings.ca.gov

Stop the flow of fluid on both sides of the separation.

Dimensions and System Options

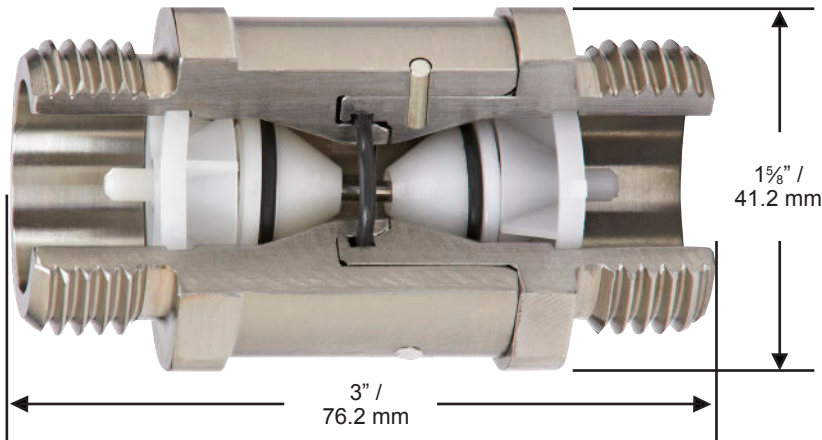
Guards

MODEL NO.	DESCRIPTION
007224	Black Scuff Guard
006534	Dispenser Scuff Guard
003097	Scuff Guard

Accessories, Testing and Maintenance

MODEL NO.	DESCRIPTION
007407	1" BSPP Seal Kit Assembly

Model 007219



Model 012070/012659



Model 008216



2325 Husky Way • Pacific, MO 63069
 (800) 325-3558 • Fax (636) 825-7300
www.husky.com • sales@husky.com

MADE IN THE U.S.A.